



## **ADVENTURE A10**

**More driving comfort. More freedom.**

## Product advantages

Modular power wheelchair with full spring suspension designed for use indoors and outdoors.



## Overview of the most significant product advantages

### Modularity

- Quick-locking devices enable dismantling of wheelchair without use of tools
- Can easily be adapted to meet the drivers' needs
- Modular construction allows for flexible refitting with additional components
- Can be transported in the boot of a medium-class car
- Chassis is basic configuration for adding customized options and special features

### Suspension/Damping

- Individual suspension adjustment to the weight of the driver
- Single wheel suspension with 52 mm/2 inch spring travel
- Optimal driving characteristics indoors as well as outdoors
- Efficient vibration control and impact absorption

### Intelligent error diagnosis

- Twin layered LC display with intelligent diagnosis function
- Fault detection by means of error codes
- Fault analysis even possible by calling the Alber Service Center

### Programming – quite simple

- Versatile programming options to meet customers' requirements
- No external programming device needed

### Efficiency

- Highly efficient motors
- Wide range despite small batteries

### Lightweight construction

- Total weight standard model 96 kg/213 lb



- All major components are detachable by means of quick-release devices
- Fits into any car

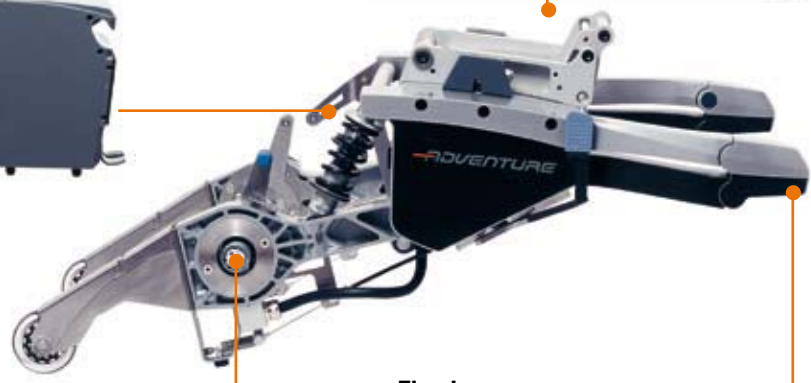
**Seating unit**

Ergonomic, adjustable and detachable, 14,3 kg/31.5 lb



**Battery packs**

for a range of up to 45 km/28 miles, 15 kg/33 lb each



**Flex base**

with fully adjustable springs, 26,2 kg/57.8 lb



**Drive wheel**

Weight only 11,2 kg/24.7 lb



**Castor wheel**

With quick release axle, 2,3 kg/5 lb



#### Control unit

- Twin layered LC display using clearly understandable symbols to indicate driving mode and fault diagnosis
- Selection button for Indoor/Outdoor mode, horn, lights, direction indicators
- Stepless speed pre-selection
- Freely programmable drive parameters



#### Battery packs

- Removable by quick release
- With 44 Ah capacity
- Maintenance-free, sealed gel cell



#### Drive wheel

- Highly efficient wheel hub motors
- With quick release axle
- 6 km/h/3.7 mph, 10 km/h/6.2 mph or 12 km/h/7.4 mph versions
- Allroad tyres allow for quiet travelling indoors and good traction outdoors



#### Castor wheels

- Removable by quick release
- Single fork for less damage when bumping into obstacles
- Allroad tyres allow for quiet travelling indoors and good traction outdoors



#### Automatic charger

- 6 A charging current
- After total discharge: charging time 8 hours
- Automatic switch-off and conservation of charge



#### Drive chassis

- Full suspension chassis with independent four-wheel suspension
- Individually adjustable suspension with 52 mm/2 inch spring travel for efficient shock absorption and travel comfort
- Anti-tippers with jack-up function
- Parallel-articulated front wheels for a consistent steering angle and minimized brake pitching.



### Function seat with back cushion

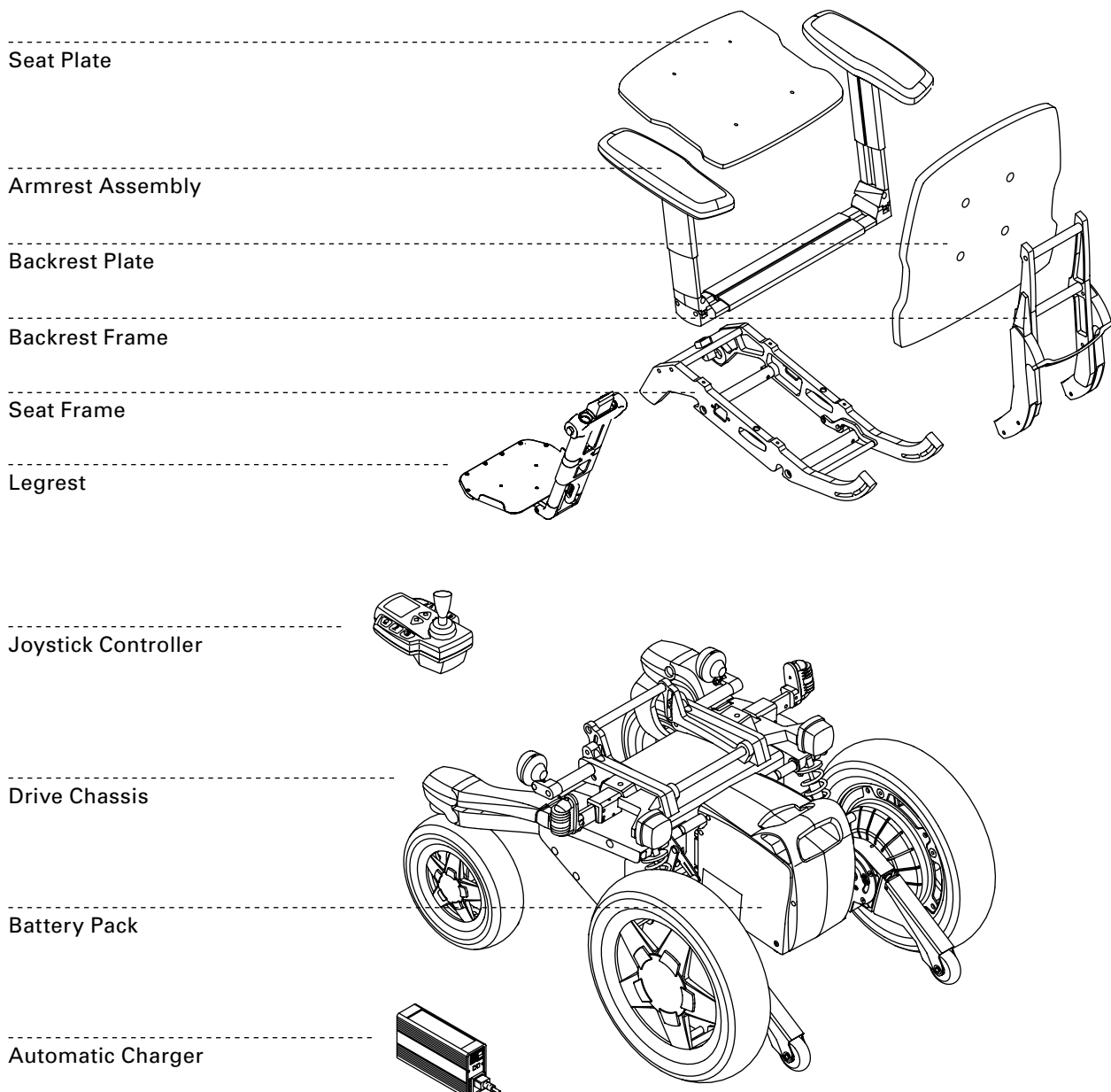
- With enhanced adjustability
- 2 widths available
- Back and seat cushion removable by velcro fasteners, cushion cover removable for easy washing
- Backrest height and seat depth adjustable
- With projected side guards on seat and back for increased lateral support



### Recaro seat

- Well known quality of Recaro
- Pre-shaped backrest and seat
- For ergonomical seating
- Recaro Specialist „S“, „M“ or „L“
- Electrical or manual back angle adjustment
- Drapery or leatherette cover available

Through its modular concept, Adventure's chassis and seating unit can be configured independently from each other, especially for flexible seating solutions, (by the use of seat shells etc.). Starting with a basic configuration of the drive chassis (the power base), special individually combinations are possible in an economic way by the combination or the re-use of the different modules.



To get up-to-date details regarding the complete range of accessories, please contact [www.adventure-news.de](http://www.adventure-news.de)



#### Adaptation for special backrests

- For adaptation of special backrests (e.g. „Jay J2“, „the Back“, „Academy back“, „Evolution back“, „Jetstream“)
- Adjustable in width and height
- Easy adaptation on function seat



#### Lap Belt

- With auto style buckle



#### Pelvic support

- More stability of pelvis
- Mounting on clothes protection
- Warming the lower body



#### Curb climber

- Climbs curbs up to 12 cm/4.7 inch height
- Attention: limited adjustability of legrest if installed (length & angle)



#### External On/Off switch

- For easier on and off switching
- Plug in under control unit



#### External charger plug

- Position of charger plug under armrest
- Easy charging in seated position



### Footbelt

- Protection for feet on the foot plate
- Safety against sliding of feet



### Luggage bag

- Left or right hand attachment at armrest
- For purse, mobile phone, etc., ready to hand and easy to handle



### Luggage rack

- For transportation of luggage
- Mounting on backrest frame
- Max. 16 kg/35,2 lb



### Handrest extension

- For better hand support/guidance
- Snap-on style, easy to attach and detach on control unit



### Tie-down system for public transport

- Fixation of wheelchair during transportation in cars
- Two different versions available
  - DIN version with buckles (e.g. AMF Burns)
  - ISO version with hooks (e.g. Q-Straint)
- Approved system



### Headrest

- Adjustable in height and inclination angle
- Removable with quick release



### Off-board charger

- To charge the battery off the Adventure power base
- Unlimited mobility in combination with spare parts



### Snow chains

- Easy fitting chain without moving the vehicle
- Patented ice free snap-fastening hook system
- Developed especially for the ADVENTURE Meeting the high quality requirements of the automotive industry



### Lateral supports

- Lateral support of body
- Adjustable for height, width and depth



### Rear Mirror

- To be mounted on armrest
- Mounting on left or right hand side or both regardless of joystick position



### Foam ball for joystick

- Diameter 70 mm/2.7 inch
- For users with reduced hand function
- In exchange for joystick knob



### Push Handles

- Height adjustable



### Swivel arm

- Allows better access to tables
- Left or right hand mount
- Parallel swing-away



### Mud-Guards for drive wheel

- Mounting on rear wheel arm



### Mud-Guards for wheels

- Mounting on castor fork



### Stick holder

- To transport crutches/sticks



### T-handle for joystick

- For Quadriplegic users or reduced hand function
- In exchange for joystick knob



### Tray table

- Transparent table with control unit in middle position
- Foldable and removable



### Calf support

- Fixation and support of legs
- Angle adjustable
- Width adjustable

### Further accessories not illustrated:

Seat height enhancement

External interface

Mechanical seat angle tilt

Attendant control

Protection bumper for control unit

Version	6 km/h/3.7 mph	10 km/h**/6 mph	12 km/h/7.5 mph	Remarks
Castor wheel size	75/70 – 6 (diameter 26 cm/10.2 inch, width 7,5 cm/3 inch)			Max. pressure: 3,5 BAR (50 PSI), re- commended pressure 2,5 BAR (36 PSI)
Drive wheel size	90/70 – 10 (diameter 37 cm/14.5 inch, width 10 cm/4 inch)			
Maximum speed	6 km/h / 3.7 mph	10 km/h / 6 mph	12 km/h / 7.5 mph	
Braking system	Eddy current brake with energy recovery, electromagnetic elasticity brake (locking brake)			
Ground clearance	17 cm/6.7 inch	17 cm/6.7 inch	17 cm/6.7 inch	
Turning circle	88 cm/34.3" (64 cm/25" without footrests)			
Climbing capability with 140 kg/309 lb	18 %	18 %	18 %	
Motor design	Brushless direct current motors, integrated into the wheel hub			
Drive design	2-step planetary transmission, maintenance free			
Wheel torque	50 Nm	40 Nm	40 Nm	Max. wheel torque
Motor nominal output	110 Watt	183 Watt	220 Watt	
Motor peak output	475 Watt	620 Watt	750 Watt	
Operating voltage	24 volts	24 volts	24 volts	
Battery packs (1)	Lead-gel, maintenance free, leak-proof, 24 Volt / 22 Ah			Approved by DOT and IATA for trans- portation in airplanes
Automatic battery charger	With automatic switch-off and conservation of charge For supply voltages of 115 and 230 volts			
Range (22 Ah) with one battery pack	Approx. 20 km/ 12.4 miles	Only reserve operation possible		
Range (44 Ah) with two battery packs	Approx. 45 km*/ 28 miles	Approx. 45 km*	Approx. 45 km*	
Maximum loading	140 kg/300 lb	140 kg/300 lb	140 kg/300 lb	(22 stones)
Total weight (empty with standard seat)	96,7 kg/213 lb	96,7 kg/213 lb	96,7 kg/213 lb	
Maximum obstacle height	Without curb climber maximum of 8 cm/3.1 inch, with curb climber 12 cm/4.7 inch			The curb climber can be ordered as an accessory
<b>Weight of individual components</b>				
Battery pack	14,6 kg/32.2 lb			
Drive wheel	11,2 kg/24.7 lb			
Castor wheels with fork	2,3 kg/5 lb			

Version	6 km/h/3.7 mph	10 km/h**/6 mph	12 km/h/7.5 mph	Remarks
Chassis	26,2 kg/57.8 lb	26,2 kg/57.8 lb	26,2 kg/57.8 lb	
Seating unit	14,3 kg/31.5 lb	14,3 kg/31.5 lb	14,3 kg/31.5 lb	
Battery charger	1,1 kg/2.42 lb	1,1 kg/2.42 lb	1,1 kg/2.42 lb	
Total permitted weight	255 kg/562 lb	255 kg/562 lb	255 kg/562 lb	

## Dimensions

Total length ready to drive (with tilt supports)	111 cm/43.7 inch	111 cm/43.7 inch	111 cm/43.7 inch	Dependent on the leg support angle set
Total width ready to drive	68 cm/26.8 inch	68 cm/26.8 inch	68 cm/26.8 inch	
Power base (without seat)	93 cm/36.6 inch	93 cm/36.6 inch	93 cm/36.6 inch	Measured with anti-tippers and front wheels outside
Packing volume seating unit (H x W x D)	36 cm x 50 cm x 60 cm/24 inch x 20 inch x 23.6 inch			Dismantled, measured with standard seat, SW 44 cm
Packing volume chassis (H x W x D)	27 cm x 62 cm x 93 cm/10.6 inch x 24.4 inch x 36.6 inch			Without front and rear wheels, with anti-tippers
Operating temperature	Ambient temperature range (approx. -25 °C / +50 °C)			
Manufacturer's guarantee	2 years on complete vehicle (except wearing parts), batteries 12 months			

\* Range depends amongst other things, on the type of terrain and weight of occupant.

\*\* Availability depends on local market regulations.



The Adventure complies with the EU regulation for medical products 93/42/EWG, and 89/366/EWG electromagnetic compatibility.

Changes in technology and design due to constant further development excepted.

