

alber®

Simply mobile.



**ADVENTURE**



A fresh idea can lead to the development of something so radically new that it defies comparison.

An electric wheelchair with spring suspension is nothing out of the ordinary. It is more the perfect matching of all the chassis components that makes the difference between a mere design concept and real-life functionality. In the field of electric wheelchairs, **ADVENTURE** provides levels of driving safety, traction and comfort that were previously unheard of.

Discover for yourself the possibilities offered by a modular wheelchair design. Whether it is the ability to transport it in your car, or the outstanding backup service, **ADVENTURE** guarantees your mobility and extends it indefinitely.

**ADVENTURE** was designed for use indoors, on the road and just about anywhere else.



**An idea.**



Our speciality is highly efficient motors.

Compared with conventional wheelchair electric motors, you have up to 45 % more range. The entire driving mechanism is integrated harmoniously into the rear wheels. The maintenance-free planetary gear provides an efficient and powerful drive.

The advantage: despite having small and manageable storage batteries, large distances can be travelled. Depending on the type of terrain, you can keep going for up to 45 km.

Thanks to the innovative motor design, energy is put back into the batteries when you travel down hill, thus increasing the range.



## Power and endurance.



The **ADVENTURE** was driven by Günther, a former amateur cycling champion, who has not lost any of his sense of adventure despite his bicycle accident. And his twin brother Jürgen keeps him company, as in the past, on his bicycle.



## Discover new territory.

Where there is a will there is not always a way for wheelchair users. Because of its unique chassis, **ADVENTURE** can go new ways. The four wheels with independent suspension ensure stability, traction and comfort even on rough ground. The long 52 mm travel of the springs at the back and front provides very effective vibration damping and so maximises driving comfort on uneven surfaces.





Full time wheelchair users know all about how uneven surfaces such as cobble-stones, kerbs and potholes put a strain on the driver. The so-called “vibration stress” has been shown to have a negative effect on our whole body.

In order to achieve optimum damping and stability, the exact adjustment of the chassis to the weight of the driver plays an important role. Only in this way can effective and therapeutic vibration damping be attained. The **ADVENTURE** chassis allows all-round adjustment of the suspension to suit the needs of the individual user.



## Requirements.



The combination of the large front wheels and supple suspension means that kerbs up to **8 cm** high can be tackled. Thanks to the independent four-wheel suspension, even driving off kerbs sideways is no problem. An optional extra is the kerb climber which allows kerbs up to **12 cm** high to be overcome.





## Living freedom.

On easy terrain and in overcoming obstructions the undercarriage really comes into its own. The long suspension travel provides traction and stability on sloping ground. Away from paved roads the generous ground clearance allows rough and challenging terrain to be tackled. A new tyre technology was developed specially for the **ADVENTURE**. A raised tread was inserted into the centre which provides a smoother ride and easy rotation on smooth surfaces. The raised shoulder profile provides grip on soft surfaces and therefore gives all-round good traction for safe travel.

**Wheel release**

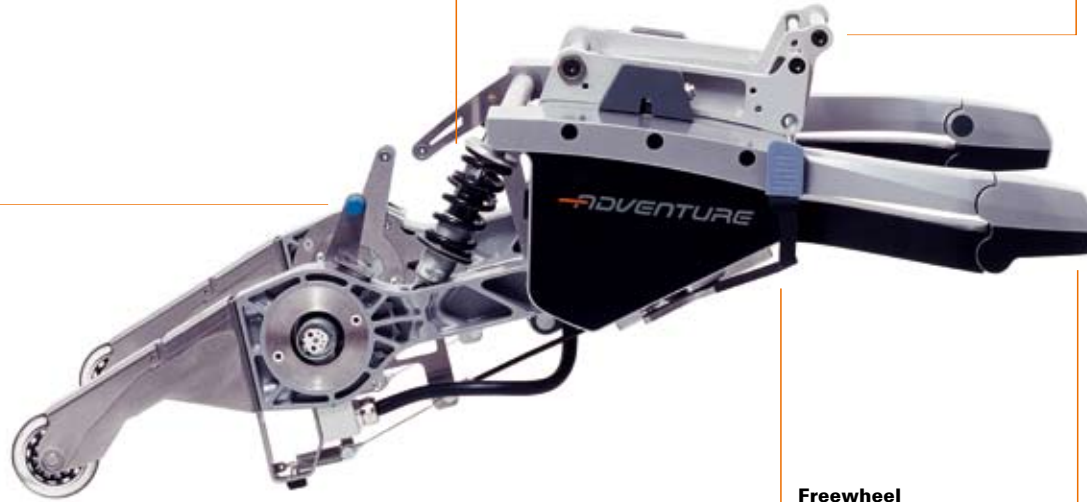
quick and easy removal of the powered wheels for transportation

**Springs**

52 mm spring travel for maximum safety, traction and comfort on all four wheels

**Seat mounting**

with tilt adjustment for the seat



**Anti-tip supports**

with jack-up feature for easy wheel removal

**Freewheel**

single release lever for freewheel operation

**Longitudinal control arm**

for greater stability during braking and when negotiating obstructions

# Mobility starts with modularity.

**Powered wheels**



**Battery packs**



**Chassis**



**Steering wheels**





### Handling – quite simple.

The control unit combines ergonomics and functions in a user-friendly manner. Two different driving programs are available at the press of a button, for indoor and outdoor operation. Finely tuned control responses indoors; much more nimble performance for more driving fun outdoors.

The driving characteristics can be adjusted precisely to the needs of the wheelchair user by means of the programmable controller. Acceleration, the speed in bends and joystick sensitivity are only three of a total of twelve parameters that can be freely programmed. The large LCD display is backlit and provides all the significant information regarding vehicle status using clearly understandable symbols.

Power base



Seating unit



Whilst the car is an integral part of our independent way of life. Here the **ADVENTURE** comes into its own with its unique features. All the important components such as wheels, seat and battery packs can be removed from the chassis quickly and without the use of tools. This ability to be taken apart means, it takes minimal stowage space, so that the **ADVENTURE** can be transported even in a medium-sized car.

## The Function seat

Available in two seat widths:

38 – 44 cm

44 – 52 cm



## Standard features

- Control unit with LCD display
- Fully sprung chassis
- Two anti-tip supports
- Two quick release castors
- Two hub-powered wheels, 6 km/h
- Function seat with contoured upholstery
- Automatic battery charger
- Two battery packs for up to 45 km range

## Accessories (excerpt)

For details and availability of new accessories please see our **ADVENTURE** homepage [www.adventure-news.de](http://www.adventure-news.de).



Rear-view mirror



Handrest



Headrest



Charger socket, external



Lab belt



Push handles



Calve support



Pelvis support/Lateral support

### Unique: the battery pack concept

Despite its great range, the highly efficient drive technology on the **ADVENTURE** manages with small storage batteries. Situated between the rear wheels, either one or two battery packs may be used, depending on requirements\*.

\* 10 and 12 km/h versions need two battery packs to reach the maximum speed.



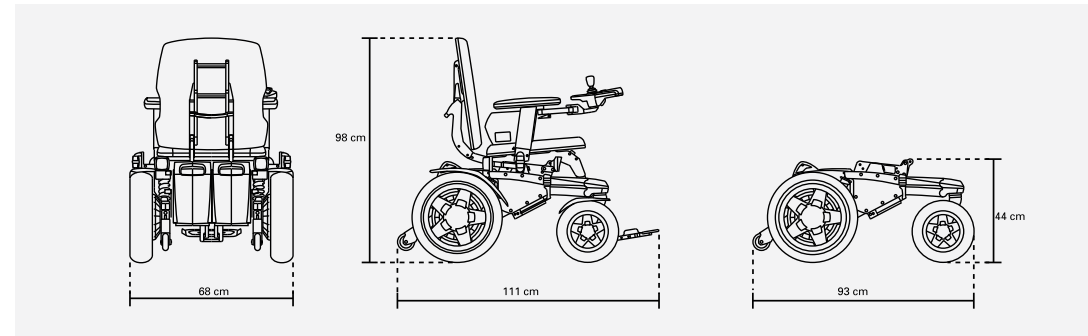
Two battery packs for up to 45 km range and as a reserve system.



One battery pack for less overall weight and lower transportation weight.

| Version  | 6 km/h   | 12 km/h / 10 km/h               | Remarks  |
|--|--|---------------------------------|--|
| <b>Ground clearance</b>                        | 17 cm  |                                 |  |
| <b>Turning circle</b>                          | 88 cm (64 cm without footrests)                      |                                 |  |
| <b>Climbing capability (140 kg)</b>            | 18 %   |                                 |  |
| <b>Battery packs (1)</b>                       | Lead-gel, maintenance-free, 24 Volt / 22 Ah          |                                 | Approved by IATA + DOT for transportation in airplanes                               |
| <b>Automatic battery charger</b>               | With automatic switch-off and conservation of charge |                                 | For supply voltages of 115 and 230 volts   |
| <b>Range (22 Ah) With one battery pack</b>     | Approx. 20 km*                                       | Only reserve operation possible | * Range depends, amongst other things, on the type of terrain and weight of occupant |
| <b>Range (44 Ah) With two battery packs</b>    | Approx. 45 km*                                       | Approx. 45 km*                  |  |
| <b>Maximum loading</b>                         | 140 kg   |                                 |  |
| <b>Total weight (empty with function seat)</b> | 96.7 kg  |                                 |  |

### Dimensions



Mud guards



Curb climber



Off-board charger for battery pack



Snow chains



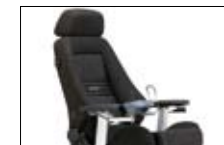
Swivel arm



Crutch holder



Luggage rack



Recaro Specialist seats



**Ulrich Alber GmbH**

Vor dem Weißen Stein 21  
72461 Albstadt  
Germany  
Phone +49 7432 2006-0  
Fax +49 7432 2006-298  
info@alber.de  
www.adventure-news.de

**Frequently asked questions.**

***Is the ADVENTURE protected against rain and wet?***

Yes, all the parts were designed for use outdoors. Damp meadows or light rain pose no problem. During cleaning all electrical contacts must be covered up and a high-pressure cleaner must not be used.

***What height obstacle can the ADVENTURE overcome?***

Kerbs up to 8 cm high can be overcome, with the optional kerb climber even 12 cm is possible.

***Can I use other seat cushions?***

Yes. For this you just need to remove the original upholstery and replace with the new cushions. Your specialist rehab equipment dealer will be pleased to advise you.

***How long does it take to fully charge the batteries?***

If the batteries are completely empty then it will take 8 hours to fully recharge them.

***How long is the guarantee period?***

Our manufacturer's guarantee is for 24 months on all parts (but not including parts subject to wear, such as tyres) and 6 months for battery cells.

***Where can I buy the ADVENTURE or take a test drive?***

Call us on our number 0049-7432-2006-0 or e-mail us at info@alber.de and we will put you in touch with your nearest authorised Adventure Specialist.

Best regards:



**ADVENTURE** has been tested by the Technical Control Board and complies with international guidelines for medical products.

50.0006.6.02.05  
© Ulrich Alber, Albstadt

